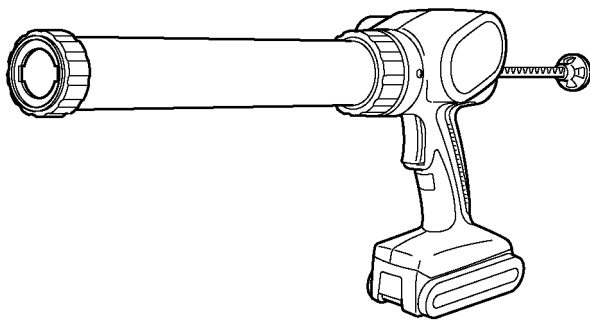


Service Manual

Sealing Gun

Model No. **EY3640**
EY3641

Europe
Oceanina



Please file and use this manual together with the service manual for Model No. EY3653, Order No. MEW/PTD 9702-36532.

⚠ WARNING

This service information is designed for experienced repair technicians only and is not designed for use by the general public. It does not contain warnings or cautions to advise non-technical individuals of potential dangers in attempting to service a product. Products powered by electricity should be serviced or repaired only by experienced professional technicians. Any attempt to service or repair the product or products dealt with in this service information by anyone else could result in serious injury or death.

IMPORTANT SAFETY NOTICE

There are special components used in this equipment which are important for safety. These parts are marked by ⚠ in the Schematic Diagrams, Circuit Board Diagrams, Exploded Views and Replacement Parts List. It is essential that these critical parts should be replaced with manufacturer's specified parts to prevent shock, fire or other hazards. Do not modify the original design without permission of manufacturer.

TABLE OF CONTENTS

	PAGE		PAGE
1 Warning-----	2		
2 Specifications-----	2		
3 Exploded View and Replacement Parts List-----	3		

1 Warning

Caution:

- Pb free solder has a higher melting point than standard solder; Typically the melting point is 50 - 70°F (30 - 40°C) higher. Please use a soldering iron with temperature control and adjust it to 750 ± 20°F (400 ± 10°C). In case of using high temperature soldering iron, please be careful not to heat too long.
- Pb free solder will tend to splash when heated too high (about 1100°F / 600°C).

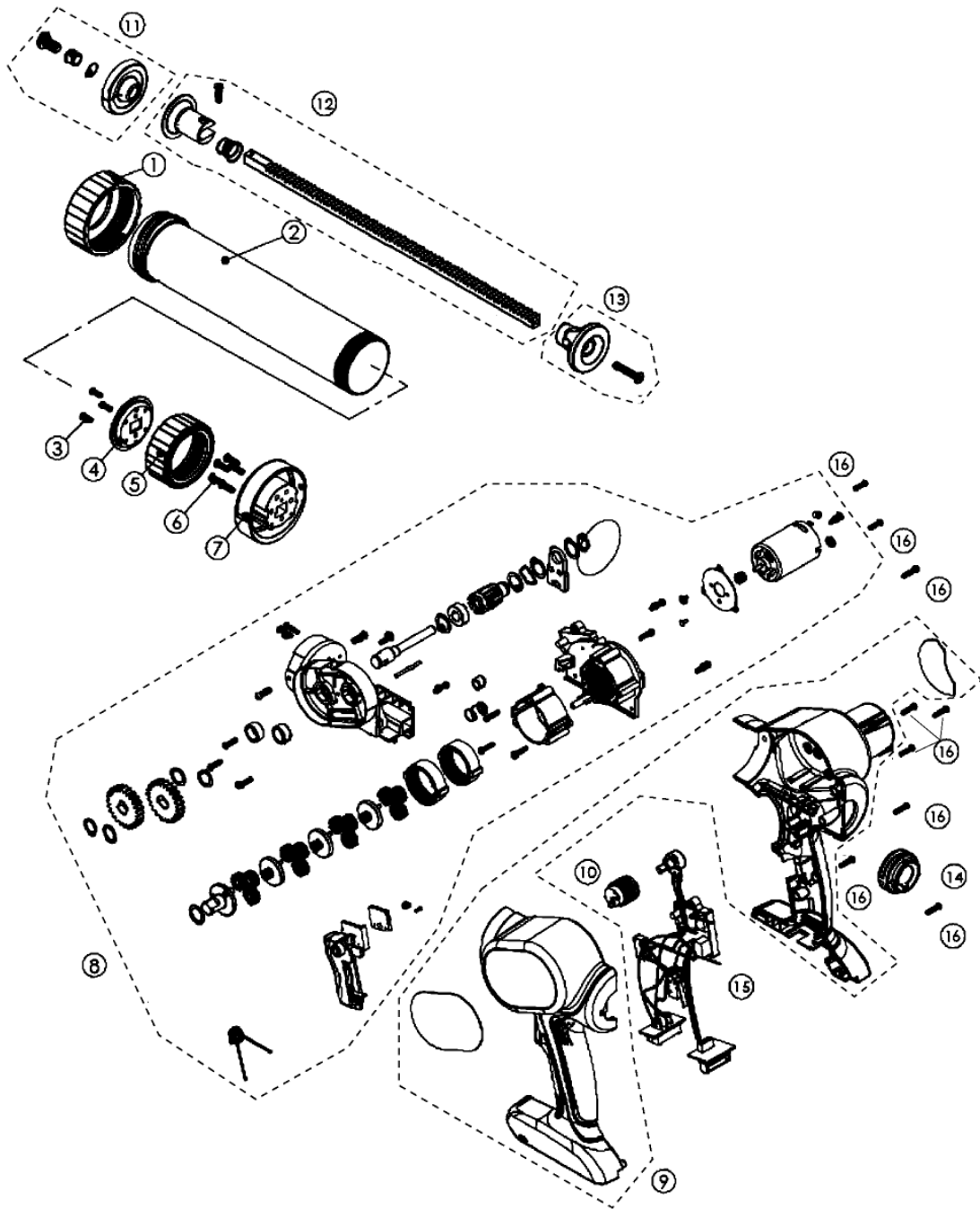
2 Specifications

MAIN UNIT

Model	EY3640	EY3641
Motor	14.4V DC	
Ejection pressure	4410 N (450 kgf, 990 lbs)	
Overall length	max. 615 mm (24-7/32") min. 424 mm (16-11/16")	max. 884mm (34-13/16") min. 560 mm (22-1/16")
Weight (with battery pack EY9L41)	2.6 kg (5.7 lbs.)	2.75 kg (6.0 lbs.)

3 Exploded View and Replacement Parts List

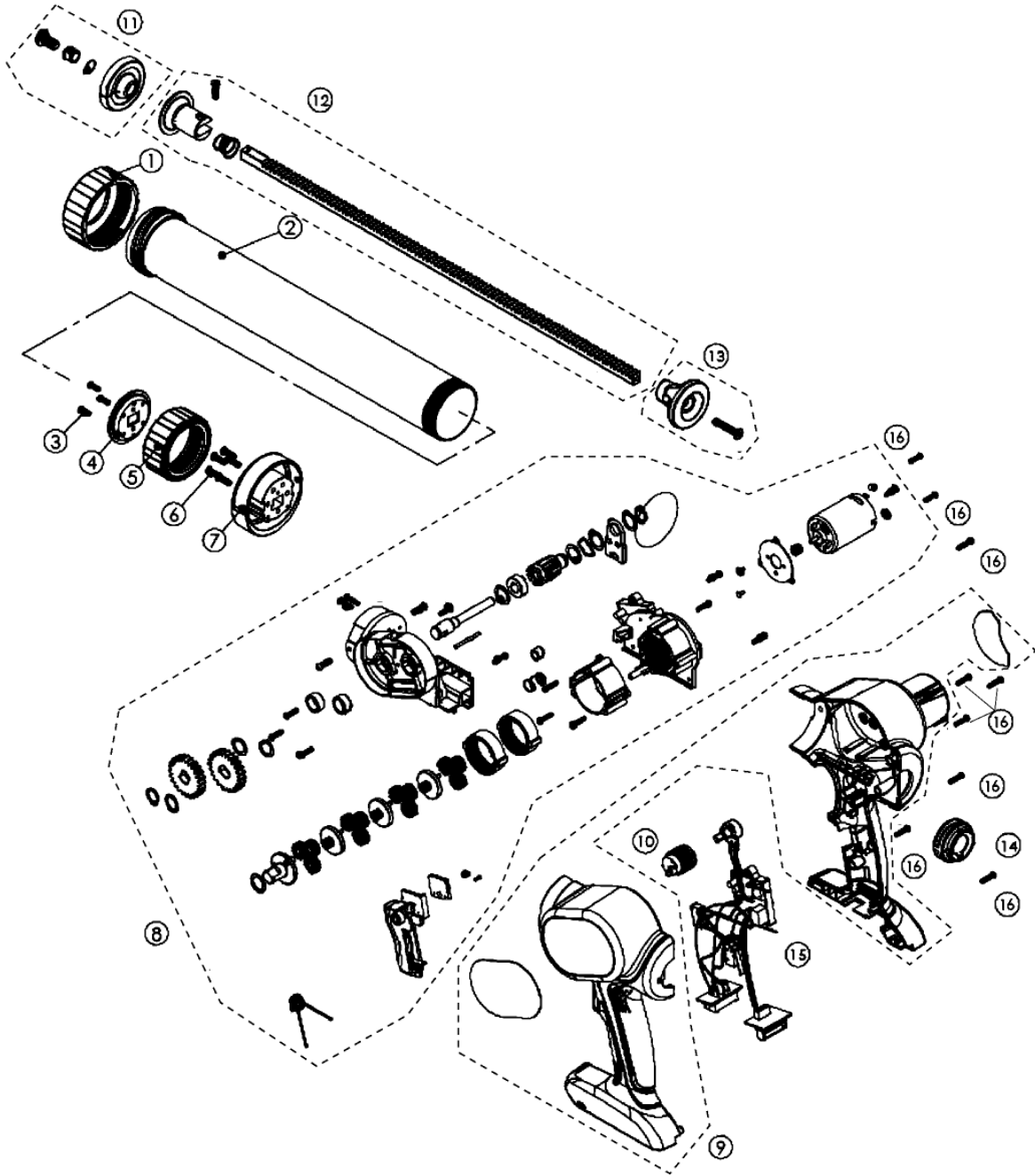
Model No. : EY3640 Exploded View for EY3640



Model No. : EY3640 Parts List

Safety	Ref. No.	Part No.	Part Name & Description	Q'ty	Remarks
EY3640					
	1	WEY3641S3228	FRONT CAP	1	
	2	WEY3640S3718	TUBE HOLDER	1	(300ml)
	3	WEY3641K6808	SCREW	3	(M3.5*10)
	4	WEY3641K3188	PROTECTION COVER	1	
	5	WEY3641S3238	HOLDER CAP	1	
	6	WEY3641K9088	TAPPING SCREW	7	(4*14)
	7	WEY3641S0808	CONNECTING RING	1	
	8	WEY3641L1458	GEAR BOX BLOCK	1	
	9	WEY3640K3078	HOUSING AB SET	1	(for EUROPE)
	9	WEY3640K3079	HOUSING AB SET	1	(for OCEANIA)
	10	WEY3641H3288	SPEED CONTROL APPLICATION	1	
	11	WEY3641K0488	PISTON JOINT	1	
	12	WEY3640K1348	RACK	1	(353mm / 300ml, 9.5*9.5)
	13	WEY3641K3538	RACK KNOB	1	
	14	WEY3641K3148	RUBBER	1	
	15	WEY3641L2128	MODULE	1	
	16	WEY3641K9078	TAPPING SCREW	9	(3*14)
	-	WEY3640K7018	TOOL CASE	1	
	-	WEY3640K8008	INDIVIDUAL BOX	1	[SH]
	-	WEY3641K8108	OPERATING INSTRUCTIONS	1	[SH]

Model No. : EY3641 Exploded View for EY3641



Model No. : EY3641 Parts List

Safety	Ref. No.	Part No.	Part Name & Description	Q'ty	Remarks
EY3641					
	1	WEY3641S3228	FRONT CAP	1	
	2	WEY3641S3718	TUBE HOLDER	1	(600ml)
	3	WEY3641K6808	SCREW	1	(M3.5*10)
	4	WEY3641K3188	PROTECTION COVER	1	
	5	WEY3641S3238	HOLDER CAP	1	
	6	WEY3641K9088	TAPPING SCREW	1	(4*14)
	7	WEY3641S0808	CONNECTING RING	1	
	8	WEY3641L1458	GEAR BOX BLOCK	1	
	9	WEY3641K3078	HOUSING AB SET	1	(for EUROPE)
	9	WEY3641K3079	HOUSING AB SET	1	(for OCEANIA)
	10	WEY3641H3288	SPEED CONTROL APPLICATION	1	
	11	WEY3641K0488	PISTON JOINT	1	
	12	WEY3641K1348	RACK	1	(485mm / 600ml, 9.5*9.5)
	13	WEY3641K3538	RACK KNOB	1	
	14	WEY3641K3148	RUBBER	1	
	15	WEY3641L2128	MODULE	1	
	16	WEY3641K9078	TAPPING SCREW	9	(3*14)
	-	WEY3641K7018	TOOL CASE	1	
	-	WEY3641K8008	INDIVIDUAL BOX	1	[SH]
	-	WEY3641K8108	OPERATING INSTRUCTIONS	1	[SH]

Parts Change Notice

Model No. EY3640/ EY3641 <Correction for S/M PTD0908X52AE>

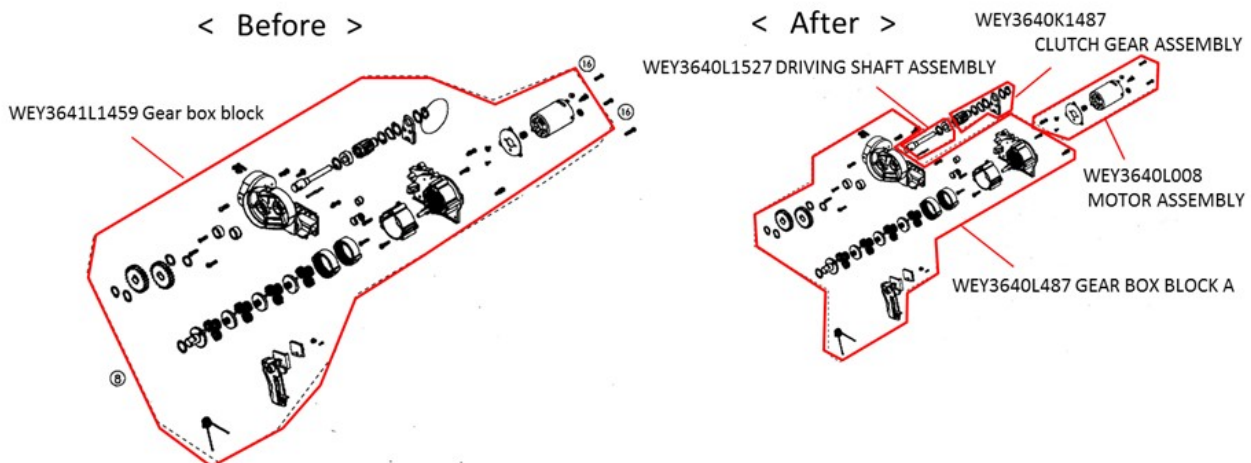
Please revise the original parts list in the Service Manual to conform to the change(s) shown herein.
If new part numbers are shown, be sure to use them when ordering parts.

Reason for Change		*The circled item indicates the reason. If no marking, see the Notes in the bottom column.
1. Improve performance		
2. Change of material or dimension		
3. To meet approved specification		
4. Standardization		
5. Addition		
6. Deletion		
7. Correction		
⑧ Other		Subdivision of gear box block

Interchangeability Code		**The circled item indicates the interchangeability. If no marking, see the Notes in the bottom column.
Parts	Set Production	
A	Original → Early New → Late	Original or new parts may be used in early or late production set. Use original parts until exhausted, then stock new parts.
B	Original → Early New → Late	Original parts may be used in early production sets only. New parts may be used in early or late production sets. Use original parts where possible, then stock new parts.
Ⓒ	Original → Early New → Late	New parts only may be used in early or late production sets. Stock new parts.
D	Original → Early New → Late	Original parts may be used in early production sets only. New parts may be used in late production sets only. Stock both original and new parts.
E	Other	New parts will be used from first production sets.

Part Number					
Model No.	Ref. No.	Original Part No.	New Part No.	Notes(***)	Part Name & Descriptions
EY3640/EY3641	8	WEY3641L1459	WEY3640L1527	8*, C**	DRIVING SHAFT ASSEMBLY
			WEY3640K1487	8*, C**	CLUTCH GEAR ASSEMBLY
			WEY3640L1008	8*, C**	MOTOR ASSEMBLY
			WEY3640L1487	8*, C**	GEAR BOX BLOCK A
	-				

*Due to this change, supply of the whole gear box block (WEY3641L1459) is terminated (for reduction of repair expenses).



File this Parts Change Notice with your copy of the Service Manual.